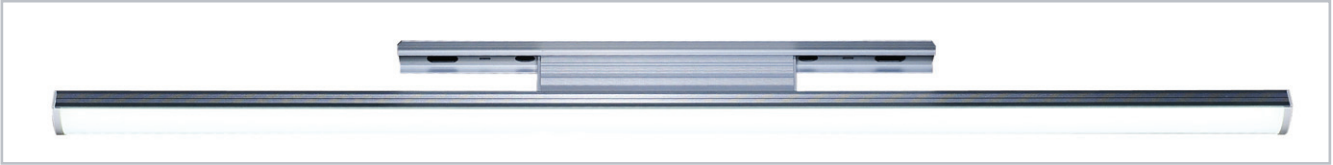
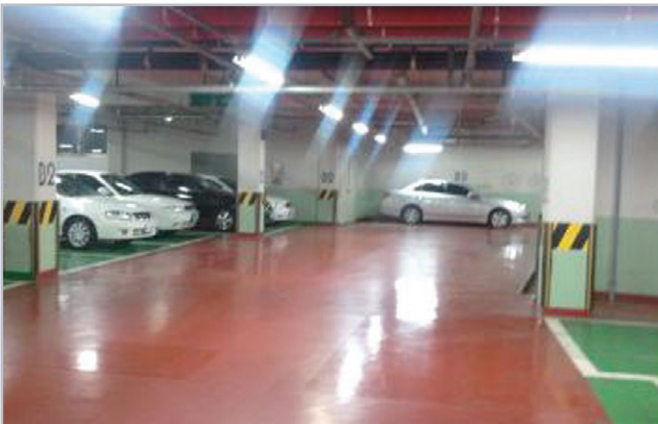
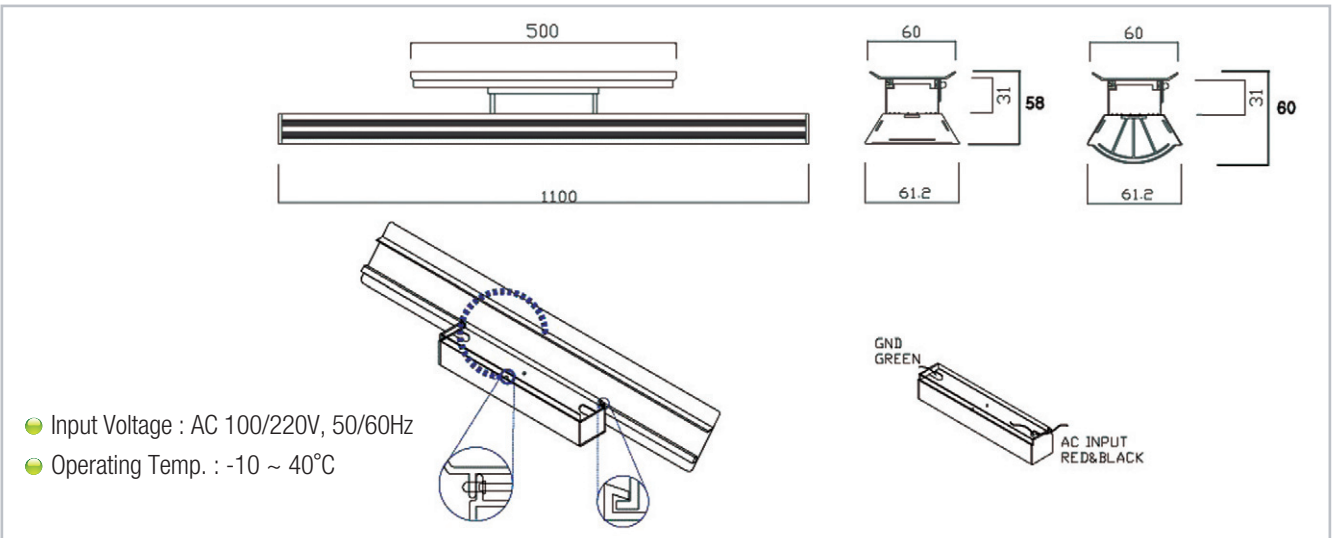


LED 주차장 램프



Model	CCT	Power	Flux	Efficiency	Illuminance (lux@1m)	CRI	Size
ELP18CDD	5,700 K	18 W	1,800 lm	100 lm/W	650 lux	80 Ra	1,100X60 mm



서울 ○○아파트



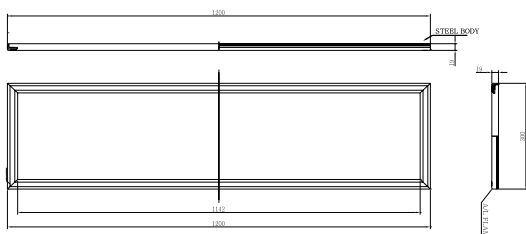
서울 ○○아파트

LED 면조명



Model	CCT	Power	Flux	Efficiency	Illuminance (lux@1m)	CRI	Size
ELF50ADD	5,700 K	50 W	4,500 lm	90 lm/W	1,500 lux	80 Ra	1200x300 mm
ELF50AWD	3,000 K	50 W	4,250 lm	85 lm/W	1,410 lux	80 Ra	1200x300 mm

(Unit:mm)



- Input Voltage : AC 100/220V, 50/60Hz
- Operating Temp. : -10 ~ 40°C

Model	CCT	Power	Flux	Efficiency	Illuminance (lux@1m)	CRI	Size
ELF50ADK	5,941 K	50 W	4,065 lm	81.3 lm/W	1,550 lux	80 Ra	600x600 mm
ELF50AWK	3,000 K	50 W	4,250 lm	85 lm/W	1,460 lux	80 Ra	600x600 mm
ELF80ADK	5,700 K	80 W	7,200 lm	90 lm/W	2,480 lux	80 Ra	600x600 mm
ELF80AWK	3,000 K	80 W	6,800 lm	85 lm/W	2,330 lux	80 Ra	600x600 mm
ELF13ADM	5,700 K	13 W	1,170 lm	90 lm/W	340 lux	80 Ra	300x300 mm
ELF13AWM	3,000 K	13 W	1,105 lm	85 lm/W	300 lux	80 Ra	300x300 mm

- Input Voltage : AC 100/220V, 50/60Hz
- Operating Temp. : -10 ~ 40°C

